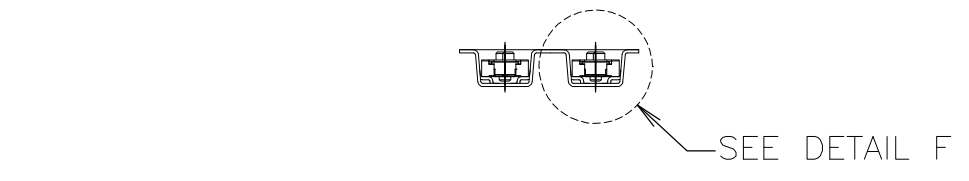
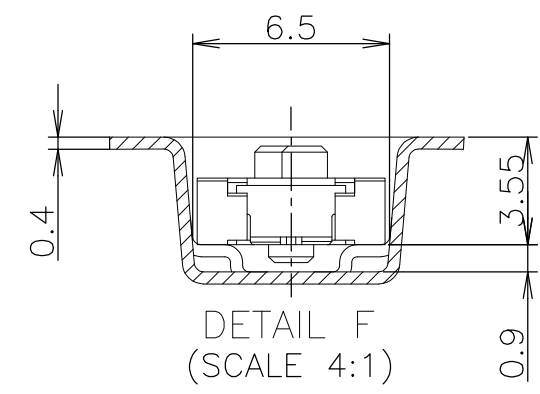
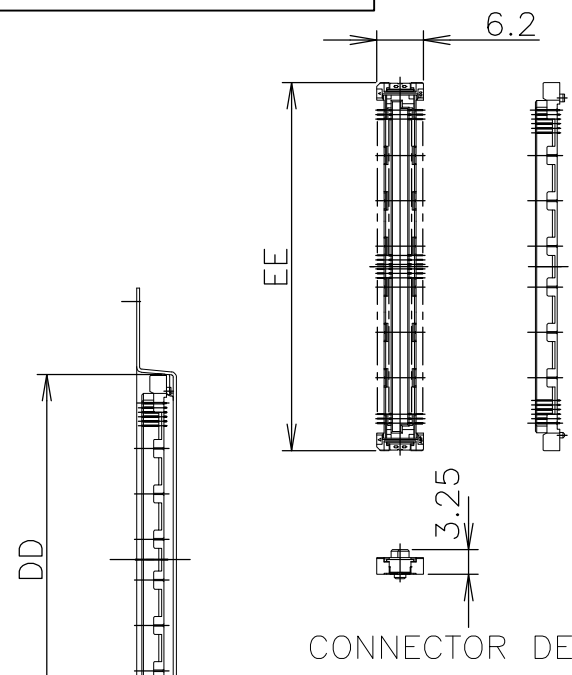
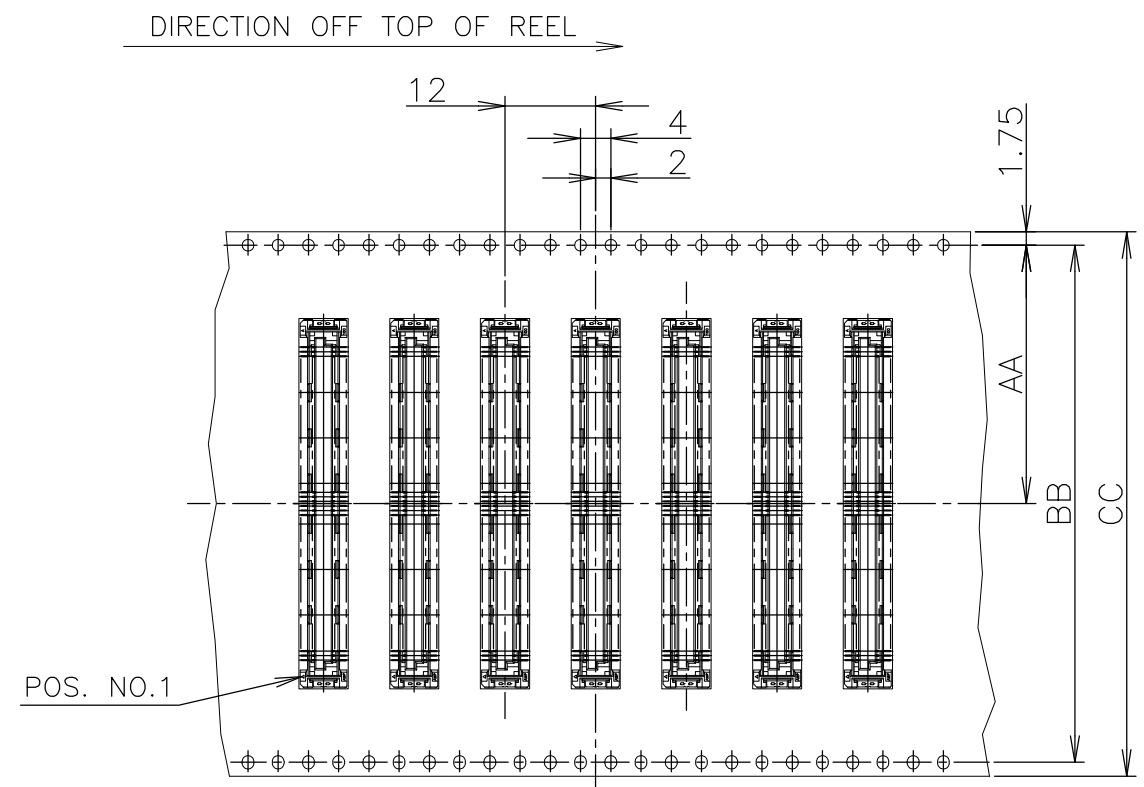
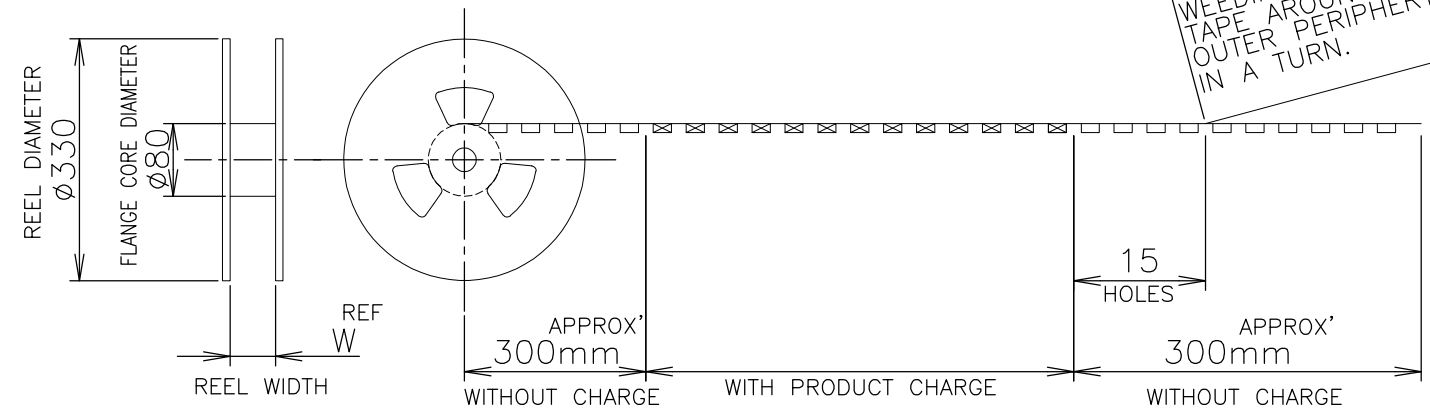


THIS DRAWING IS UNPUBLISHED. RELEASED FOR PUBLICATION JUN , 1996.
 © COPYRIGHT 1996 BY TYCO ELECTRONICS CORPORATION. ALL RIGHTS RESERVED.

LOC	DIST	REVISIONS			DATE	DWN	APVD
		P	LTR	DESCRIPTION			
J		B	REVISED	ECR-08-000340	01FEB08	T.T	T.F



WEEDING THE COVER TAPE AROUND THE OUTER PERIPHERY IN A TURN.



SEALANT	STATUS	QTY.	FINISH	W	EE	DD	CC	BB	AA	POS.	PART NO.
SEALANT	NOT AVAILABLE	1000	△	77.5	54.7	55	72	68.4	34.2	160	6-5353190-1
	AVAILABLE		↑	77.5	48.7	49	72	68.4	34.2	140	6- -0
	NOT AVAILABLE			61.5	42.7	43	56	52.4	26.2	120	5- -9
	AVAILABLE			61.5	36.7	37	56	52.4	26.2	100	5- -8
	NOT AVAILABLE			61.5	33.7	34	56	52.4	26.2	90	5- -7
	AVAILABLE			49.5	30.7	31	44	40.4	20.2	80	5- -6
	AVAILABLE			49.5	27.7	28	44	40.4	20.2	70	5- -5
	NOT AVAILABLE			49.5	24.7	25	44	40.4	20.2	60	5- -4
	NOT AVAILABLE			37.5	21.7	22	32	28.4	14.2	50	5- -3
	AVAILABLE			37.5	18.7	19	32	28.4	14.2	40	5- -2
NON SEALANT	NOT AVAILABLE	1000	△	29.5	15.7	16	24	-	11.5	30	5-5353190-1
	AVAILABLE	1000	△	61.5	36.7	37	56	52.4	26.2	100	3-5353190-8
	NOT AVAILABLE	1000	△	77.5	54.7	55	72	68.4	34.2	160	1-5353190-1
	AVAILABLE		↑	77.5	48.7	49	72	68.4	34.2	140	1- -0
	NOT AVAILABLE			61.5	42.7	43	56	52.4	26.2	120	- -9
	AVAILABLE			61.5	36.7	37	56	52.4	26.2	100	- -8
	NOT AVAILABLE			61.5	33.7	34	56	52.4	26.2	90	- -7
	AVAILABLE			49.5	30.7	31	44	40.4	20.2	80	- -6
	AVAILABLE			49.5	27.7	28	44	40.4	20.2	70	- -5
	NOT AVAILABLE			49.5	24.7	25	44	40.4	20.2	60	- -4
NOT AVAILABLE			37.5	21.7	22	32	28.4	14.2	50	- -3	
AVAILABLE			37.5	18.7	19	32	28.4	14.2	40	- -2	
NOT AVAILABLE	1000	△	29.5	15.7	16	24	-	11.5	30	5353190-1	

THIS DRAWING IS A CONTROLLED DOCUMENT.

DWN LEO ZHOU 16NOV04
 CHK STEVEN YAO 16NOV04
 APVD I.ENOMOTO 16NOV04

Tyco Electronics Corporation
 Kawasaki, Japan

EMBOSS ASSY
 FH 0.6BTB CONNECTOR
 REC 4H WITH G-CONTACT

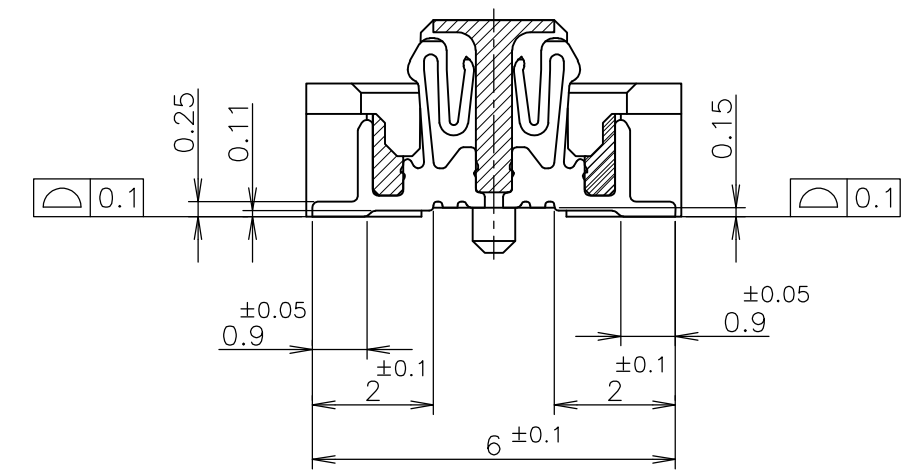
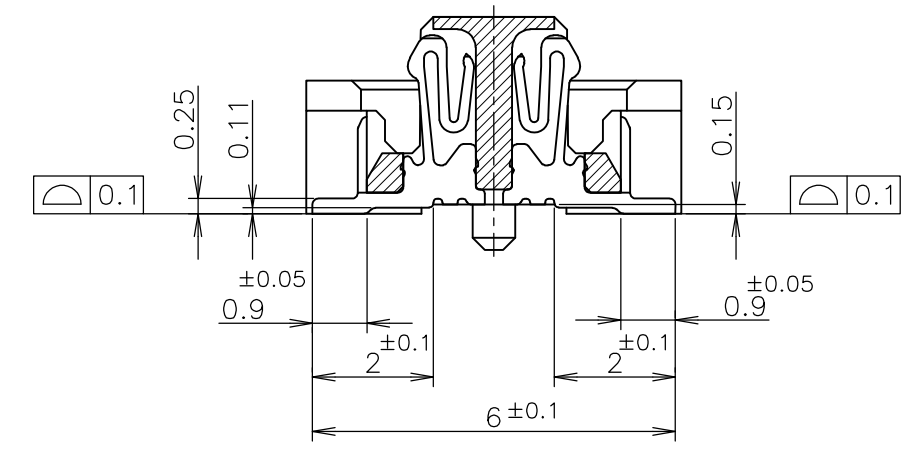
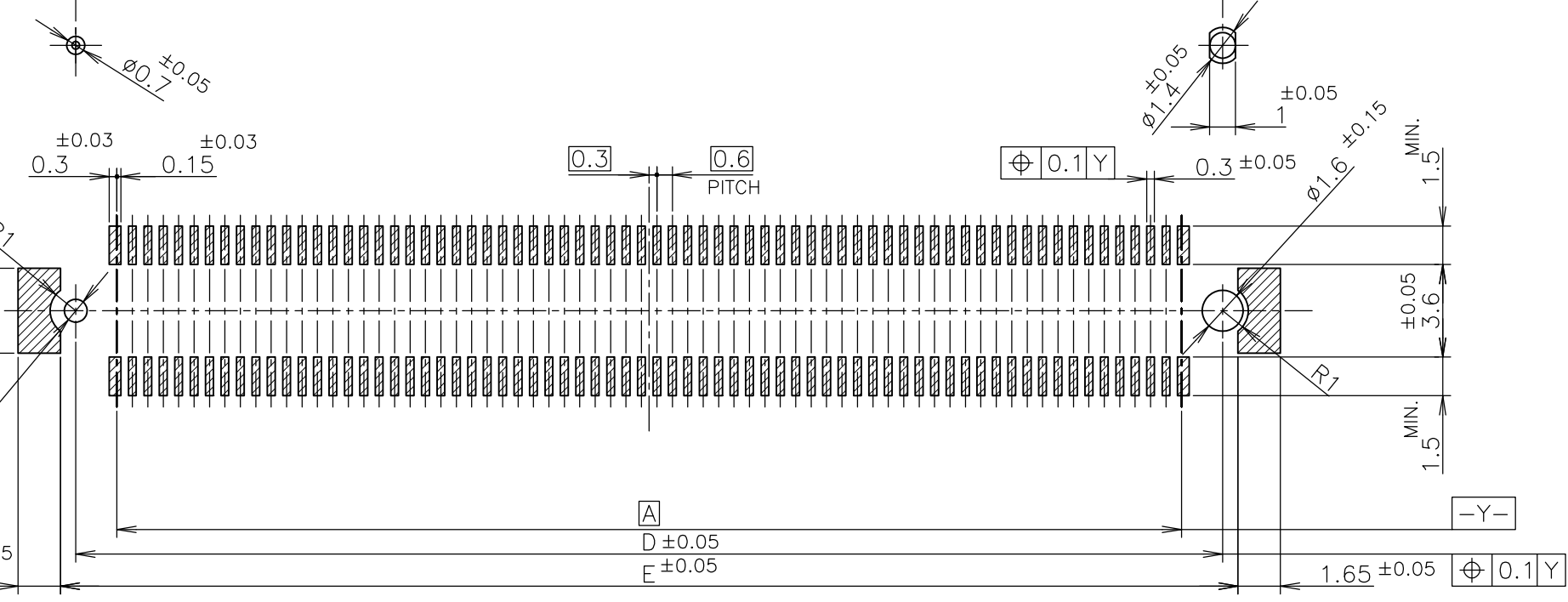
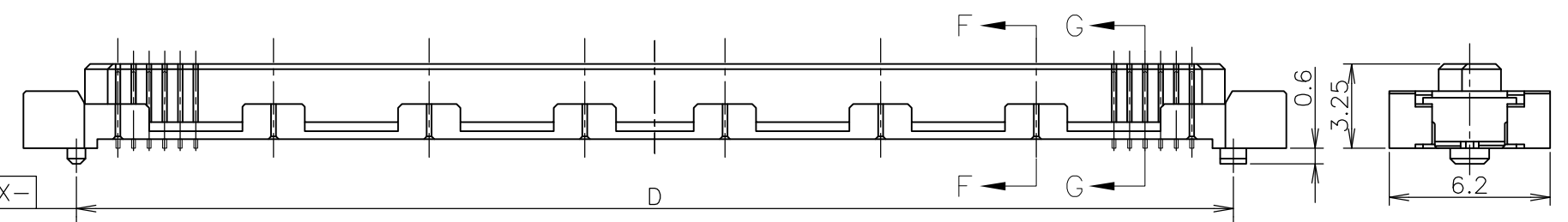
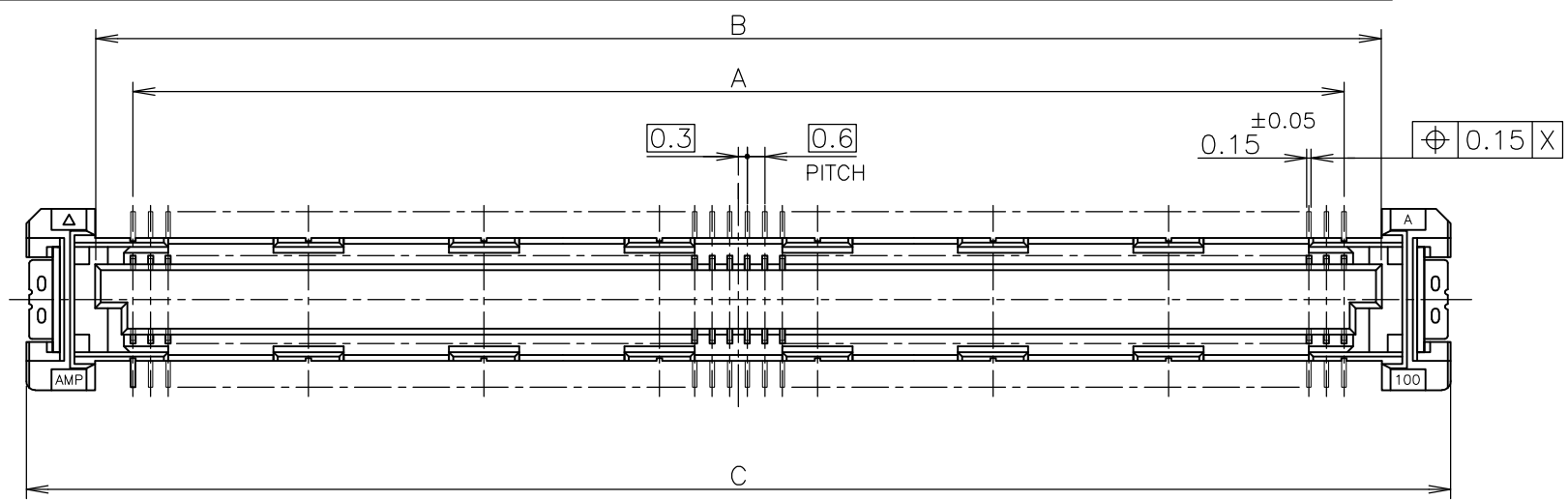
PRODUCT SPEC 108-60047
 APPLICATION SPEC 114-5255

SIZE A3 CAGE CODE 00779 DRAWING NO G-5353190 RESTRICTED TO

CUSTOMER DRAWING SCALE 1:1 SHEET 1 OF 3 REV B

THIS DRAWING IS UNPUBLISHED. RELEASED FOR PUBLICATION JUN , 1996.
 © COPYRIGHT 1996 BY TYCO ELECTRONICS CORPORATION. ALL RIGHTS RESERVED.

LOC	DIST	REVISIONS			DATE	DWN	APVD
		P	LTR	DESCRIPTION			
J				SEE SHEET 1	-	-	-



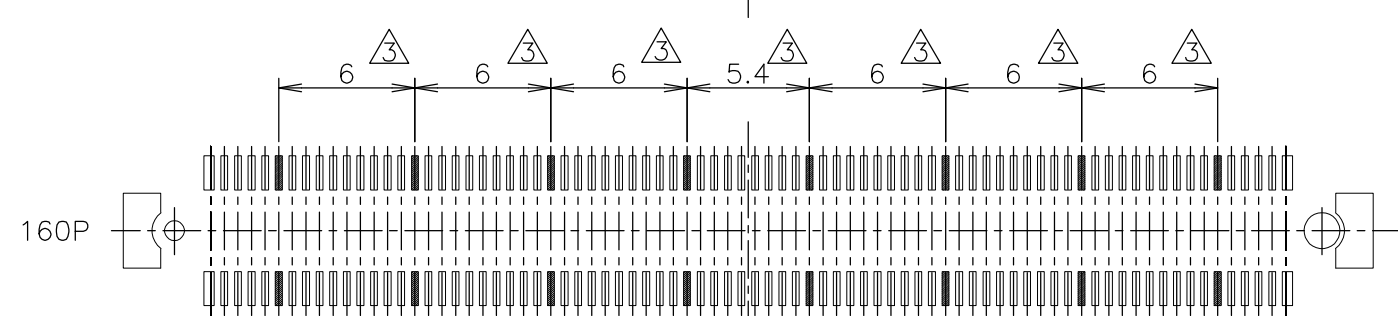
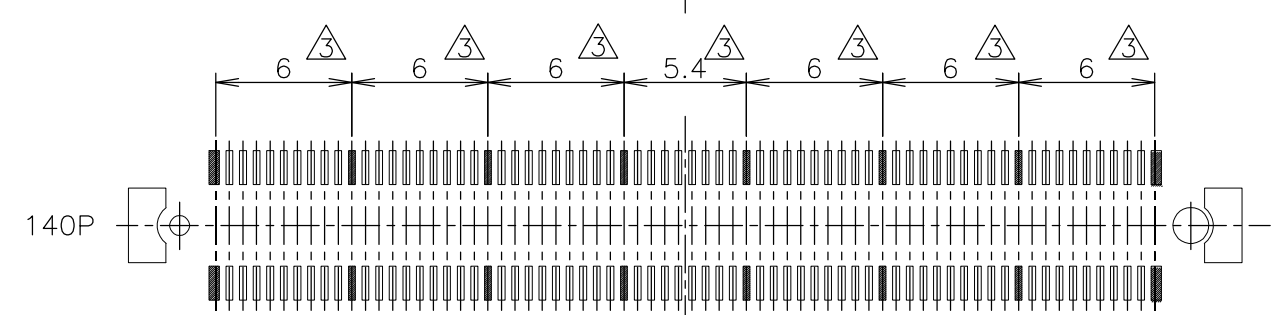
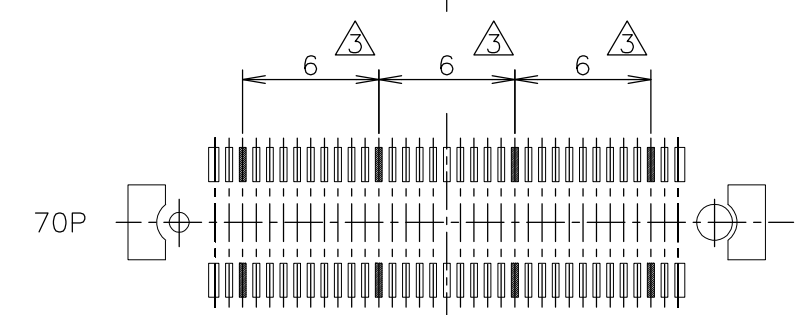
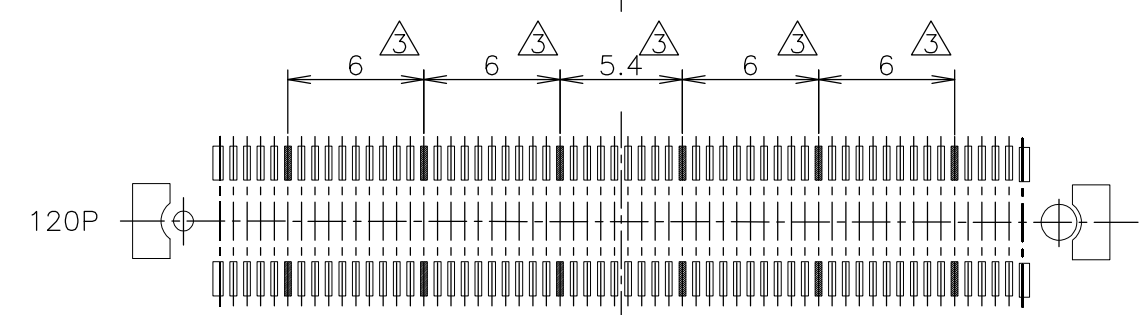
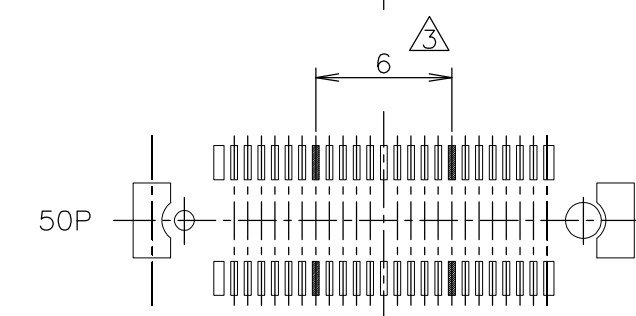
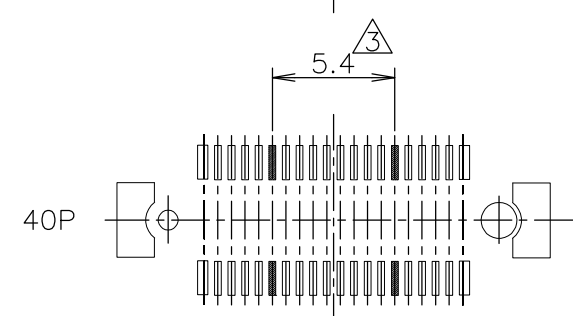
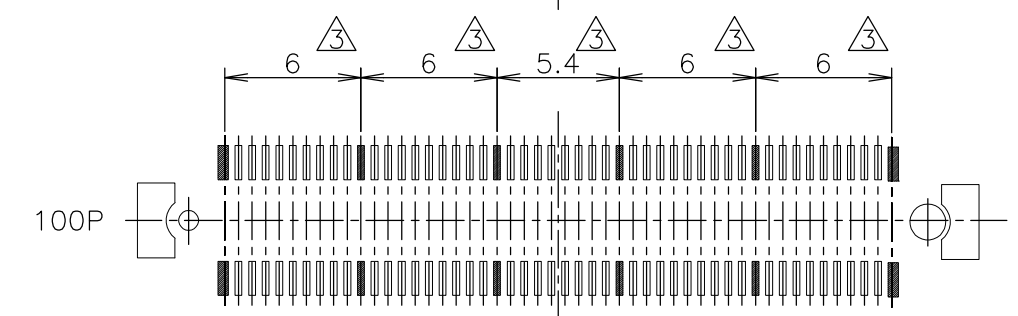
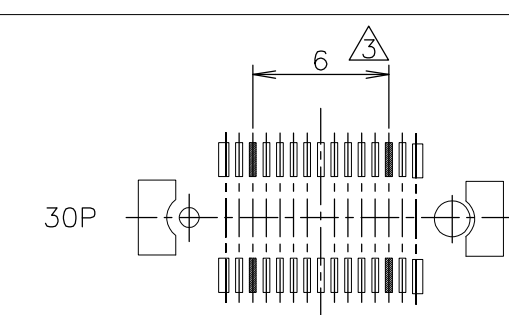
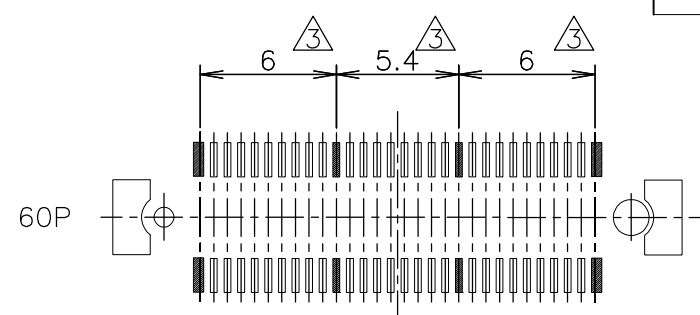
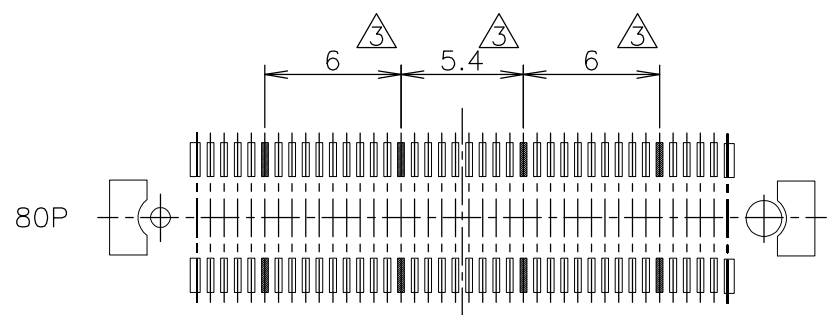
33.8	32.6	36.7	32	29.4	100	3-5353190-8
51.8	50.6	54.7	50	47.4	160	1-5353190-1 & 6-5353190-1
45.8	44.6	48.7	44	41.4	140	1-5353190-0 & 6-5353190-0
39.8	38.6	42.7	38	35.4	120	-9 & 5- -9
33.8	32.6	36.7	32	29.4	100	-8 & 5- -8
30.8	29.6	33.7	29	26.4	90	-7 & 5- -7
27.8	26.6	30.7	26	23.4	80	-6 & 5- -6
24.8	23.6	27.7	23	20.4	70	-5 & 5- -5
21.8	20.6	24.7	20	17.4	60	-4 & 5- -4
18.8	17.6	21.7	17	14.4	50	-3 & 5- -3
15.8	14.6	18.7	14	11.4	40	-2 & 5- -2
12.8	11.6	15.7	11	8.4	30	5353190-1 & 5-5353190-1
E	D	C	B	A	POS	△ PART NO.

REFERENCE P.C.BOARD LAYOUT

THIS DRAWING IS A CONTROLLED DOCUMENT.		DWN	Tyco Electronics Corporation Kawasaki, Japan	
DIMENSIONS: 単位: 耗 mm		CHK	NAME 名称	
TOLERANCES UNLESS OTHERWISE SPECIFIED: 一般公差		APVD	EMBOSS ASSY FH 0.6BTB CONNECTOR REC 4H WITH G-CONTACT	
0 PLC ± 0.3 1 PLC ± 0.3 2 PLC ± 0.3 3 PLC ± 0.3 4 PLC ANGLES ± 0.3		PRODUCT SPEC 製品規格	SIZE	CAGE CODE
MATERIAL 材料		APPLICATION SPEC 取付適用規格	A3	00779
FINISH 仕上		WEIGHT	DRAWING NO 番号	RESTRICTED TO
△ 1		G-5353190		
△ 2 △ 6		CUSTOMER DRAWING		SCALE 尺度 4:1
		SHEET 2 OF 3		REV B

THIS DRAWING IS UNPUBLISHED. RELEASED FOR PUBLICATION JUN , 1996.
 © COPYRIGHT 1996 BY TYCO ELECTRONICS CORPORATION. ALL RIGHTS RESERVED.

LOC	DIST	REVISIONS 変更			DATE	DWN	APVD
J		P	LTR	DESCRIPTION			
			-	SEE SHEET 1	-	-	-



- ① MATERIAL : HOUSING : HIGH TEMP THERMO PLASTIC, UL94V-0
CONTACT : COPPER ALLOY
- ② FINISH : UNDER PL Ni 0.0013mm MIN ALL OVER.
CONTACT AREA 0.0002mm MIN Au PL.
SOLDERING AREA: SIGNAL POS 0.00005mm MIN Au PL.
GROUND POS 0.001mm MIN TIN PL.
- ③ THIS POSITION IS GROUND CIRCUIT.
- ④ PACKING ASSY DWG SEE SHEET 1.
- ⑤ THIS PRODUCT WAS COATED BY FLUX-PENETRATION
-INHIDTING AGENT.
- ⑥ FINISH : UNDER PL Ni 0.0013mm MIN ALL OVER.
CONTACT AREA 0.00076mm MIN Au PL.
SOLDERING AREA: SIGNAL POS 0.00005mm MIN Au PL.
GROUND POS 0.001mm MIN TIN PL.

THIS DRAWING IS A CONTROLLED DOCUMENT.		DWN	Tyco Electronics Corporation Kawasaki, Japan		
DIMENSIONS: 単位: 耗 mm		CHK	NAME 名称		
TOLERANCES UNLESS OTHERWISE SPECIFIED: 一般公差		APVD	EMBOSS ASSY FH 0.6BTB CONNECTOR REC 4H WITH G-CONTACT		
0 PLC ± 0.3 1 PLC ± 0.3 2 PLC ± 0.3 3 PLC ± 0.3 4 PLC ± 0.3 ANGLES ± 3'		PRODUCT SPEC 製品規格	SIZE	CAGE CODE	DRAWING NO 番号
MATERIAL 材料		APPLICATION SPEC 取付適用規格	A3	00779	G-5353190
FINISH 仕上		WEIGHT	RESTRICTED TO		
CUSTOMER DRAWING			SCALE 尺度 3:1	SHEET 3 OF 3	REV B